



## SRS Indicator Comes On With SRS DTC 3-1 or 4-1

### SYMPTOM

The SRS indicator comes on, and SRS DTC 3-1 (open or increased resistance in driver's seat belt tensioner) or SRS DTC 4-1 (open or increased resistance in front passenger's seat belt tensioner) is stored.

### PROBABLE CAUSE

There is resistance in connector C771 (for DTC 3-1) or C761 (for DTC 4-1). The connectors are located between the rear door wire harness and the rear door subharness (C771 on the driver's side, C761 on the passenger's side).

### CORRECTIVE ACTION

Do the diagnosis then, if needed, replace the faulty rear door harness and subharness with an updated one-piece harness. The updated harness does not have connectors C771 or C761.

### PARTS INFORMATION

Right Side Pretensioner (Rear Door) Harness:  
P/N 32753-SCV-305, H/C 8857476

Left Side Pretensioner (Rear Door) Harness:  
P/N 32754-SCV-305, H/C 8857757

### WARRANTY CLAIM INFORMATION

**In warranty:** The normal warranty applies.

OP#	Description	FRT	Template ID
723507	Use the HDS to diagnose the right side.	0.3	08-008A (Right side only)
737133	Replace the right rear door wire harness and rear door subharness with a new harness.	1.2	
723507	Use the HDS to diagnose the left side.	0.3	08-008B (Left side only)
737132	Replace the left rear door wire harness and rear door subharness with a new harness.	1.2	

Failed Part: P/N 32754-SCV-A00  
H/C 7273410

Defect Code: 06801

Symptom Code: 03205

Skill Level: Repair Technician

**Out of warranty:** Any repair performed after warranty expiration may be eligible for goodwill consideration by the District Parts and Service Manager or your Zone Office. You must request consideration, and get a decision, before starting work.

## DIAGNOSIS

1. Connect the HDS to the DLC.
2. Clear the SRS DTC memory.
3. Turn the ignition switch to ON (II), and check that the SRS indicator comes on for about 6 seconds and then goes off.
  - If the SRS indicator goes off and the DTC **does not** return, go to REPAIR PROCEDURE and replace the appropriate rear door harness.
  - If the SRS indicator stays on and the DTC returns, this bulletin may not apply. Follow the service manual procedure to troubleshoot the DTC. Refer to page 23-46 for SRS DTC 3-1, or page 23-60 for SRS DTC 4-1 in the *2003–2006 Element Service Manual*.

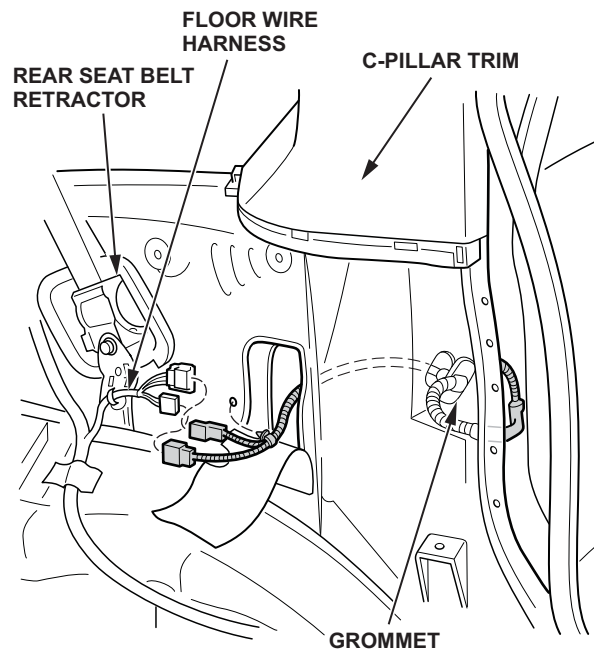
NOTE: The conditions that cause the resistance in C771 or C761 to trigger DTC 3-1 or DTC 4-1 are intermittent and difficult to repeat. If the code returns after it is cleared, it is likely that there is another problem in the system.

## REPAIR PROCEDURE

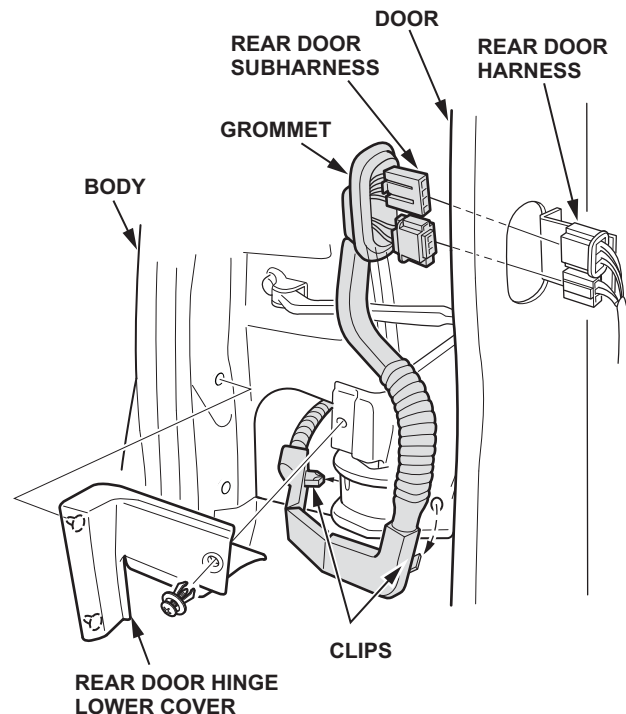
1. Remove the rear side area trim panel:
  - Refer to page 20-60 of the *2003–2006 Element Service Manual*, or
  - Online, enter keywords **REAR TRIM**, then select **Interior Trim Removal/Installation - Rear Side Area** from the list.
2. Remove the rear door panel:
  - Refer to page 20-19 of the service manual, or
  - Online, enter keywords **REAR PANEL**, then select **Rear Door Panel Removal/Installation** from the list.

3. Disconnect the rear door subharness from the floor wire harness.

NOTE: The left rear door harness is shown; the right rear door harness is similar.



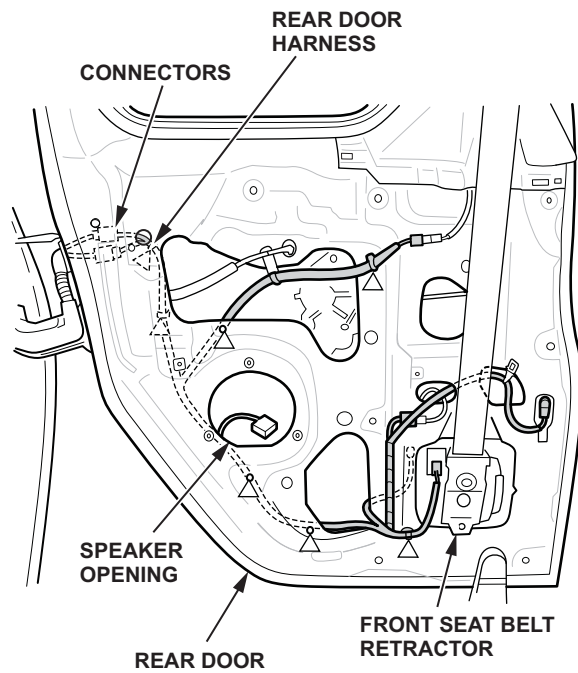
4. Remove the rear door hinge lower cover.



5. Pull out the grommet and disconnect the connectors. Remove the rear door subharness.

NOTE: The replacement harness does not have these connectors.

6. Remove the old harness from the door, noting all of the clip locations.



7. Install the new rear door harness, and make sure all of the connectors are securely connected. Also make sure all of the harness grommets and mounting clips are securely attached.
8. Reinstall all removed parts.
9. Turn the ignition switch to ON (II), and make sure that the SRS indicator comes on for about 6 seconds and then goes off.