



**Rattle From the A-Pillar Trim or Corners of the Dashboard**  
(Supersedes 03-056, dated September 9, 2003)

**SYMPTOM**

Rattle from the A-pillar trim or the dashboard corner area when driving over a rough or bumpy road.

**PROBABLE CAUSE**

The A-pillar trim is contacting the dashboard.

**CORRECTIVE ACTION**

Apply wool felt and EPT 10T sealer to the A-pillar trim and the dashboard.

**PARTS INFORMATION**

Wool Felt:

P/N 06993-SA5-000, H/C 2086676  
(One roll repairs about 40 vehicles.)

EPT Sealer 10T:

P/N 06992-SA5-000, H/C 2086668  
(One roll repairs about 200 vehicles.)

**WARRANTY CLAIM INFORMATION**

**In warranty:** The normal warranty applies.

OP#	Description	FRT	TemplateID
857701	Repair A-pillar trim (one side)	0.2	03-056A
857701 A	Repair A-pillar trim (both sides)	0.2 0.2	03-056B

**Failed Part:** P/N 84151-SCV-A01ZA  
H/C 7291107

**Defect Code:** 042

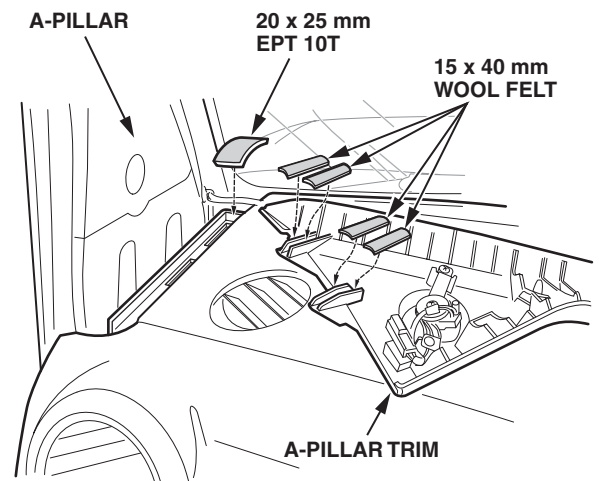
**Contention Code:** B07

**Skill Level:** Repair Technician

**Out of warranty:** Any repair performed after warranty expiration may be eligible for goodwill consideration by the District Parts and Service Manager or your Zone Office. You must request consideration, and get a decision, before starting work.

**REPAIR PROCEDURE**

1. Pull down on the A-pillar trim to release the two clips. Disconnect the tweeter connector from the trim, and remove the A-pillar trim by pulling it up (see page 20-58 of the 2003 Element Service Manual).
2. Cut a 20 x 25 mm piece of EPT 10T, and apply it to the dash panel area as shown.



3. Cut four 15 x 40 mm pieces of wool felt, and apply them to the ribs of the A-pillar trim as shown.
4. Reconnect the tweeter connector, and install the A-pillar trim.

