



Applies To: **ALL**

September 16, 2003

Seat Belt Slow to Retract
(Replaces 91-030, dated January 22, 1996)

SYMPTOM

The seat belt will not retract all the way, or retracts slowly.

PROBABLE CAUSE

Dirt on the seat belt webbing and guide.

CORRECTIVE ACTION

Clean the seat belts and guides with a mild soap and water solution, or isopropyl alcohol. This applies only to three-point active and passive seat belt systems, not to motorized systems.

REQUIRED MATERIALS

Required only for three-point passive seat belts.

Teflon Tape (ten pieces per package):
P/N 81496-SH3-505, H/C 4008041

WARRANTY CLAIM INFORMATION

This repair is covered by the Lifetime Seat Belt Limited Warranty.

Three-Point Active Seat Belt

OP#	Description	FRT
854071	Clean driver's side belt	0.3
864071	Clean passenger's side belt	0.3

Three-Point Passive Seat Belt

OP#	Description	FRT
854076	Clean driver's side belt	0.9
864076	Clean passenger's side belt	0.9

Failed Part: P/N 818A0-SM1-A05ZB
H/C 3478047

Defect Code: L11

Contention Code: B99

Skill Level: Repair Technician

REPAIR PROCEDURE

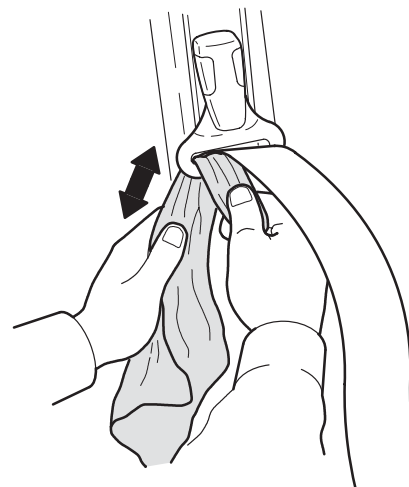
Three-Point Active Seat Belts

1. Use either isopropyl alcohol, or prepare a solution of 5 ounces of mild dishwashing liquid in a gallon of warm water.

NOTICE

Do not use strong cleaning solutions, upholstery cleaners or commercial automotive interior cleaners. They can affect the durability of the webbing.

2. Soak a clean cloth in the cleaner. Insert the cloth between the seat belt and metal loop on the upper anchor. Use a credit card or similar item to help insert the cloth into the loop. Work the cloth back and forth to clean the dirt out of the inside of the loop.



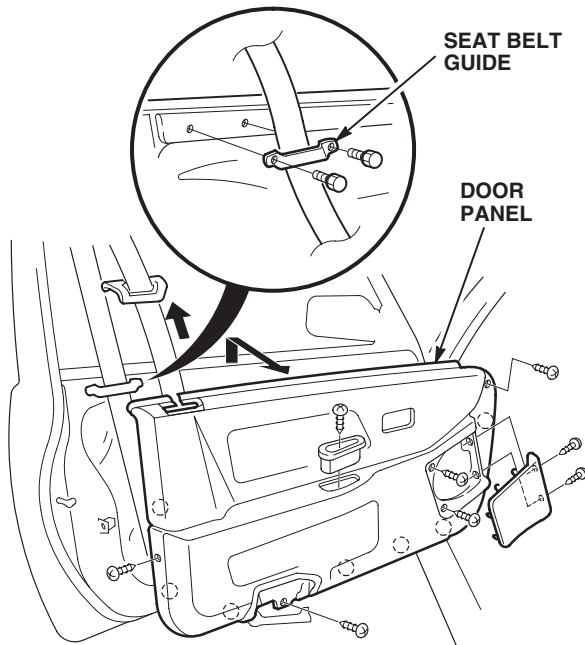
3. Pull the seat belt out fully. Soak a clean cloth in the cleaner, and clean both sides of the seat belt webbing. Dry the webbing thoroughly with a clean cloth. Do not use a hair dryer or similar device.
4. Test the belt for proper retraction by pulling the latch plate down to the floor of the vehicle and then releasing it. The belt should retract fully in 4 seconds or less.



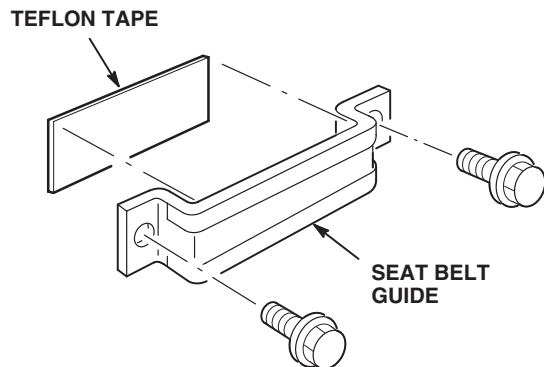
CUSTOMER INFORMATION: The information in this bulletin is intended for use only by skilled technicians who have the proper tools, equipment, and training to correctly and safely maintain your vehicle. These procedures should not be attempted by "do-it-yourselfers," and you should not assume this bulletin applies to your vehicle, or that your vehicle has the condition described. To determine whether this information applies, contact an authorized Honda automobile dealer.

Three-Point Passive Seat Belts

1. Clean the metal loop in the upper anchor as described for Three-Point Active Seat Belts.
2. Remove the door panel and the seat belt guide. Refer to the appropriate service manual.



3. Soak a clean cloth in the cleaner, and clean both sides of the seat belt webbing. Dry the webbing thoroughly with a clean cloth. Do not use a hair dryer or similar device.
4. Clean and dry the seat belt guide, then put a piece of teflon tape on the inside. Use the teflon tape specified in this service bulletin; other brands or types of tape may eventually peel off and restrict seat belt movement.



5. Install the seat belt guide and the door panel.
6. Test the belt for proper retraction by pulling the latch plate down to the floor of the vehicle and then releasing it. The belt should retract fully in four seconds or less.